

FLUX 2.0 20W PD WALL CHARGER & PHONE HOLDER

INSTRUCTION MANUAL

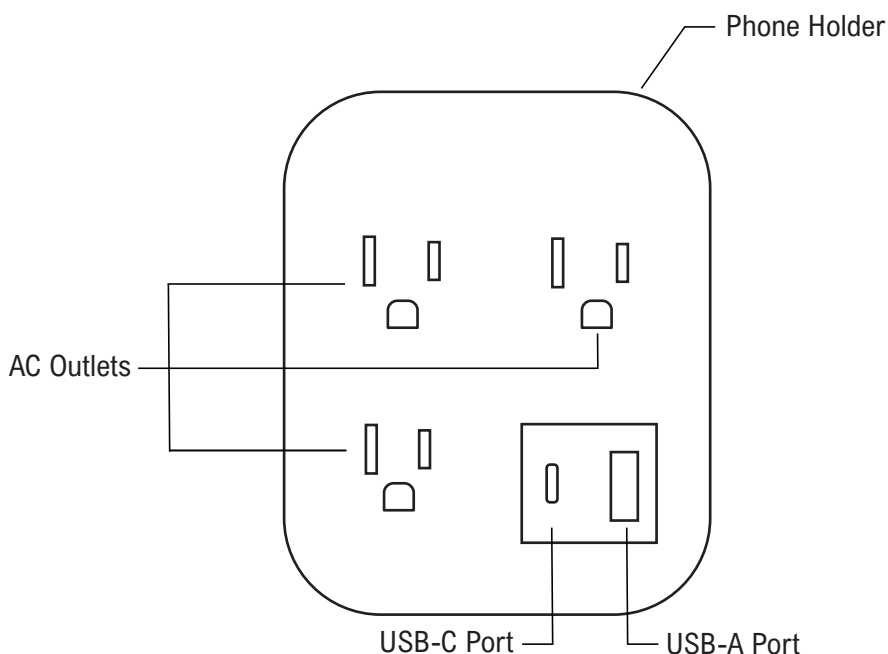
EAC-FX26

READ ALL INSTRUCTIONS CAREFULLY BEFORE USE.

IN THE BOX

- EAC-FX26 Flux 2.0 20W PD Wall Charger & Phone Holder (x1)

PRODUCT DIAGRAMS



TECH SPECIFICATIONS

- Input: 100V~240V 50/60Hz 0.7A Max.
- AC Output: 125V/10A, 1250W Max.
- USB-A Output: DC 5V/3A, 9V/2A, 12V/1.5A (18W Max.)
- USB-C Output: DC 5V/3A, 9V/2.22A, 12V/1.67A (20W Max.)
- Combined DC Output: DC 5V/3A (15W Max.)
- Working Temperature: 32°F ~ 122°F (0°C ~ 50°C)

INSTRUCTIONS

- Plug the AC wall plugs on the charger into a wall outlet. The wall charger can turn one wall outlet into 3 AC sockets.
- Using the cable of the device you wish to charge, connect the charging cable to your device with the appropriate connector.
- Connect the other end of the cable to the USB-C port or USB-A port of the charger.
- It will begin to charge automatically.

- When both USB-C port and USB-A port are in use, a total 5V/3A of output power will be divided between the ports. The wall charger will automatically detect each device and provide the optimal charging power.
- **Note:** *Surge protection safety will shut down the charging station if it detects the output power exceeds 20W. You will need to unplug at least one device when the surge protection is activated.*

SAFETY PRECAUTIONS

- This product is NOT a toy, keep away from children and pets.
- Only use the product according to the instructions in this manual. Never use the adapter for anything other than its intended purpose.
- Do not open this product or attempt to repair the unit yourself if it is not working properly. Doing so risks fire, shock or injury.
- When not in use, the product should be stored in a dry, cool location, away from sources of water or heat.
- Do not expose the product to extreme temperatures (heat or cold), open flames, humid or wet conditions.
- Do not submerge in water. Do not use in a location where the product could fall into liquid.
- Do not use if the product is damaged. If the product is damaged, it MUST be serviced or replaced by the manufacturer or its service agent before using again.
- Unplug the product from wall socket when it is not in use.
- For indoor use ONLY.

FCC INFORMATION

This device complies with Part 15 of the FCC Rules.

Caution: Any changes or modifications not expressly approved could void the user's authority to operate the equipment.

Note: This equipment has been tested and found to comply with the limits for a Class B digital device, pursuant to Part 15 of the FCC Rules. These limits are designed to provide reasonable protection against harmful interference in a residential installation. This equipment generates, uses and can radiate radio frequency energy and, if not installed and used in accordance with the instructions, may cause harmful interference to radio communications. However, there is no guarantee that interference will not occur in a particular installation. If this equipment does cause harmful interference to radio or television reception, which can be determined by turning the equipment off and on, the user is encouraged to try to correct the interference by one or more of the following measures:

- Reorient or relocate the receiving antenna.
- Increase the separation between the equipment and receiver.
- Connect the equipment into an outlet on a circuit different from that to which the receiver is connected.

- Consult the dealer or an experienced radio/TV technician for help.

This device complies with part 15 of the FCC rules. Operation is subject to the following two conditions: (1) this device may not cause harmful interference, and (2) this device must accept any interference received, including interference that may cause undesired operation.

