

Accord Mouse Pad with Kickstand Wireless Charger Instruction Manual EAC-AM19

READ ALL INSTRUCTIONS CAREFULLY BEFORE USE AND KEEP THIS MANUAL

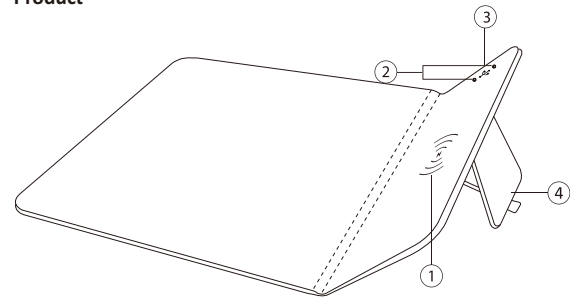
In the Box

- EAC-AM19 Accord Mouse Pad with Kickstand Wireless Charger (x1)
- Power Cable (x1)
- User Manual (x1)

Safety Precautions

- This product is NOT a toy, keep away from children and pets.
- Only use the device according to the instructions in this manual. Never use the device for anything other than its intended purpose.
- This device is NOT a substitute for proper medical equipment or attention.
- ONLY use the supplied power cable.
- Do not open this product or attempt to repair the unit yourself if it is not working properly. Doing so risks fire, shock or injury.
- When not in use, the device should be stored in a dry, cool location, away from sources of water or heat.
- Do not expose device or power cable to extreme temperatures (heat or cold), open flames, humid or wet conditions.
- Do not submerge in water. Do not use in a location where the device or power cable could fall into liquid.
- Unplug the charging cable when not in use. Do not pull the charging cable to disconnect, or use the cable as a handle.
- Do not use if device or power cable is damaged. If device or power cable is damaged, it MUST be serviced or replaced by the manufacturer or its service agent before using again.
- Attachments on the back of your device can impede effectiveness of the wireless charger, and lead to overheating. Remove attachments from your device before charging on this wireless charger.

Product



- ① Wireless Charging Surface
- ② LED Indicators
- ③ Micro USB Input Port
- ④ Support Frame for Phone Stand

Wireless Charging Instruction

- Plug the small connector of the included charging cable into the micro-USB charging port on the wireless charger.
- Plug the large connector into a USB power source, such as the USB port on a computer or into a compatible 5V USB adapter (not included) and plug into a wall socket.
- The LED indicator will flash **RED** and **BLUE** alternatively, then turn **RED** to indicate the wireless charger is in standby mode and ready to begin charge.
- Place a wireless charging enabled device on the charging pad, the wireless charger will begin to charge automatically. The LED indicator will glow **BLUE** to indicate your device is charging properly.
- If your device does not begin to charge, try repositioning your device on the charging pad. You may need to remove your smartphone case to charge properly.

- When your device is fully charged, the wireless charging LED indicator will turn **OFF**. Disconnect and unplug the charging pad.
- **Note:** If the LED indicator is flashing when the wireless charger is in use, either the device is NOT wireless charging enabled, or there is an object between the device and charging pad interfering with the charging process.

Tech Specifications

- Micro USB Input: DC 5V/2A
- Wireless Charging Output: 5W

FCC Information

This device complies with Part 15 of the FCC Rules.

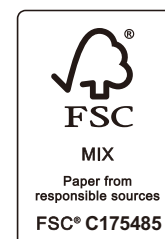
Caution: Any changes or modifications not expressly approved could void the user's authority to operate the equipment.

Note: This equipment has been tested and found to comply with the limits for a Class B digital device, pursuant to Part 15 of the FCC Rules. These limits are designed to provide reasonable protection against harmful interference in a residential installation. This equipment generates, uses and can radiate radio frequency energy and, if not installed and used in accordance with the instructions, may cause harmful interference to radio communications. However, there is no guarantee that interference will not occur in a particular installation. If this equipment does cause harmful interference to radio or television reception, which can be determined by turning the equipment off and on, the user is encouraged to try to correct the interference by one or more of the following measures:

- Reorient or relocate the receiving antenna.
- Increase the separation between the equipment and receiver.
- Connect the equipment into an outlet on a circuit different from that to which the receiver is connected.
- Consult the dealer or an experienced radio/TV technician for help.

This device complies with part 15 of the FCC rules. Operation is subject

to the following two conditions (1) this device may not cause harmful interference, and (2) this device must accept any interference received, including interference that may cause undesired operation.



FC
Made in China